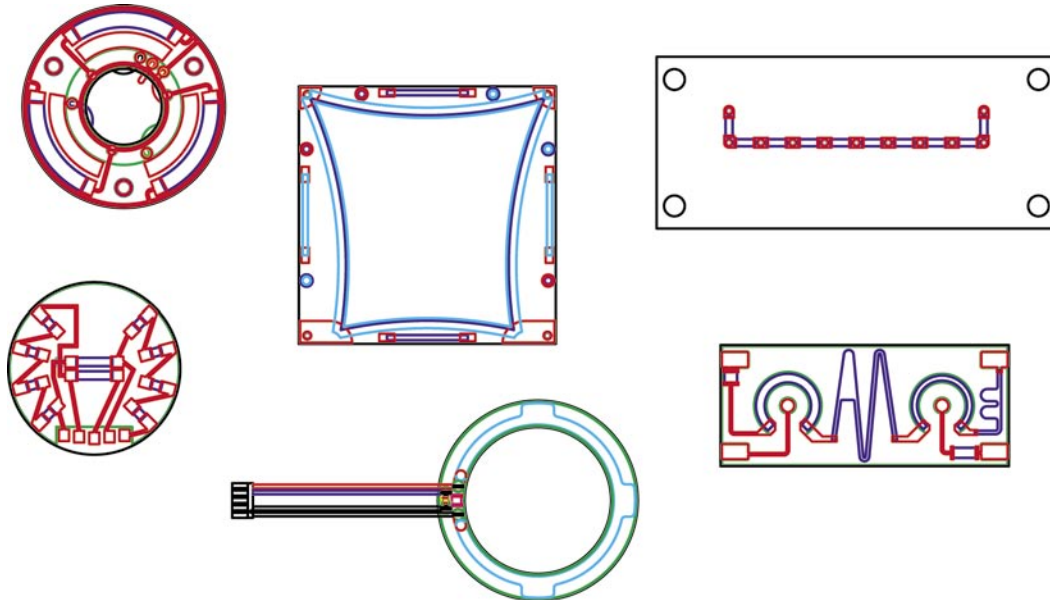


CUSTOM THICKFILM RESISTORS



Specification	
Nominal Resistance	Customer Specification
Resistor Range	1 R ... 1 G ± 20% ... ± 1%
Maximum Voltage	100 kV
Maximum Power Dissipation	500 W
Temperature Coefficient	±25 ppm / °C ±50 ppm / °C ±100 ppm / °C ± 300ppm / °C
Operational Temperature Range	-40 °C ... +150 °C - Custom Operational Range May Be Available Upon Request
Termination	Conductor Pads, Axial Wires, Radial Wires, Standard Leadframe or according to Customer Specification
Protection	Screen Printed Blue Polymer or OverGlaze

Custom resistor shapes to customer specifications for use in various low to high voltage applications in TVs, monitors, medical equipment, power supplies, pressure sensors and scanners. Above diagrams are examples of some manufacture configurations that have previously been manufactured.

Customers are requested to supply specifications with as much information as possible to allow us to better understand requirements, and information should incorporate nominal resistor value, tolerance, TCR, operational voltage as well as maximum peak voltage, any dimensional constraints and required termination type as well as length of wires / pins.